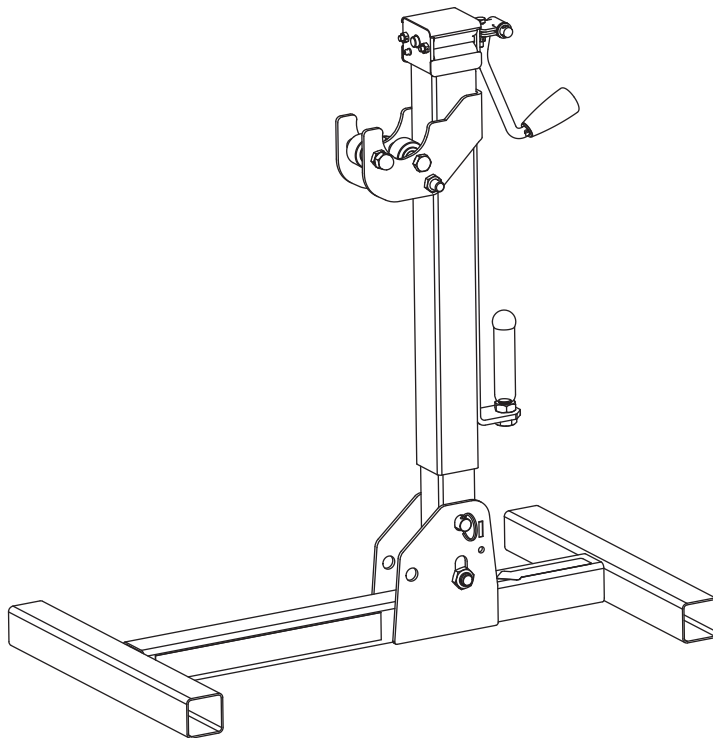


INSTRUCTION MANUAL



RXM Reel Stand



Read and understand all of the instructions and safety information in this manual before operating or servicing this tool.

Register this product at www.greenlee.com

Table of Contents

Description	2
Safety	2
Purpose of this Manual	2
Important Safety Information	3
Identification	4
Specifications	4
Maintenance	4
Operation	5-6

Description

The Greenlee RXM Reel Stand is intended for the dispensing of cable from cable reels.

Safety

Safety is essential in the use and maintenance of Greenlee tools and equipment. This manual and any markings on the tool provide information for avoiding hazards and unsafe practices related to the use of this tool. Observe all of the safety information provided.

Purpose of this Manual

This manual is intended to familiarize all personnel with the safe operation and maintenance procedures for the Greenlee RXM Reel Stand.

Keep this manual available to all personnel.

Replacement manuals are available upon request at no charge at www.greenlee.com.

All specifications are nominal and may change as design improvements occur. Greenlee Tools, Inc. shall not be liable for damages resulting from misapplication or misuse of its products.

® Registered: The color green for material handling equipment is a registered trademark of Greenlee Tools, Inc.

KEEP THIS MANUAL

IMPORTANT SAFETY INFORMATION



SAFETY ALERT SYMBOL

This symbol is used to call your attention to hazards or unsafe practices which could result in an injury or property damage. The signal word, defined below, indicates the severity of the hazard. The message after the signal word provides information for preventing or avoiding the hazard.

⚠ **DANGER**

Immediate hazards which, if not avoided, **WILL** result in severe injury or death.

⚠ **WARNING**

Hazards which, if not avoided, **COULD** result in severe injury or death.

⚠ **CAUTION**

Hazards or unsafe practices which, if not avoided, **MAY** result in injury or property damage.



⚠ **CAUTION**

- The proper Greenlee spindle is required for safe operation of this tool.
 - Keep hands and feet clear when loading and unloading cable reels.
 - Head assembly can drop quickly if not securely held during adjustment.
 - Cable reels must be chocked at all contact points with the ground to prevent movement during setup.
- Failure to observe these precautions may result in injury or property damage.

⚠ **CAUTION**

- Make sure bystanders are clear of the work area when loading, unloading or dispensing cable. Nearby personnel can be injured if a cable reel escapes.
 - Do not use the reel roller for cable with damaged reels. Damaged reels may not roll freely and may be pulled off the reel roller.
 - Never attach casters or wheels to a Greenlee reel stand.
 - Use only on a hard, flat, level surface.
 - Do not exceed the rated capacity of this tool.
- Failure to observe these precautions may result in injury or property damage.



⚠ **CAUTION**

Read and understand all of the instructions and safety information in this manual before operating or servicing this tool.

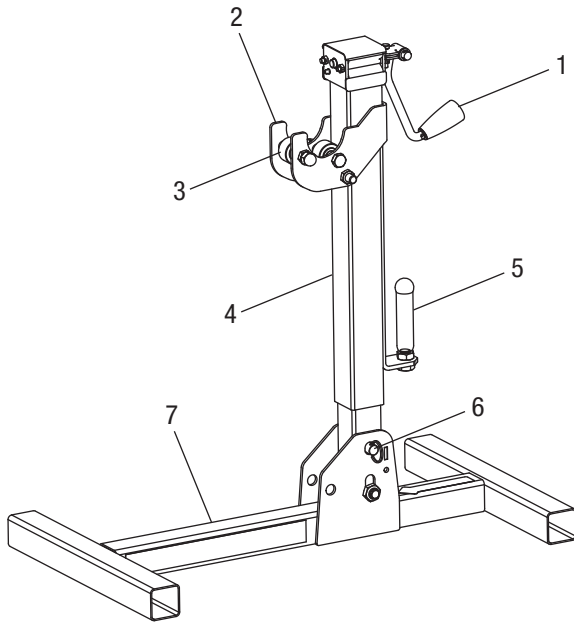
Failure to observe this precaution may result in injury or property damage.

⚠ **CAUTION**

Use this tool for manufacturer's intended use only. Use other than that which is described in this manuals may result in injury or property damage.

Note: Keep all decals clean and legible, and replace when necessary.

Identification

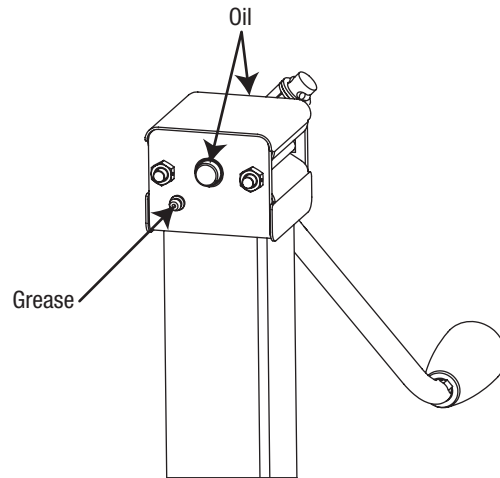


- | | |
|------------------|-----------------|
| 1. Crank Arm | 5. Carry Handle |
| 2. Head Assembly | 6. Pin |
| 3. Rollers | 7. Base |
| 4. Jack | |

Maintenance

The following procedures should be performed at least annually:

- The internal gearing and bushings of the jack must be kept lubricated. Apply a small amount of automotive grease to the internal gearing by using a needle-nose applicator or standard grease gun on the lubrication point found on the side of the jack near the crank. Rotate the jack handle to distribute the grease evenly.
- A lightweight oil must be applied to the handle unit at both sides of the tube.



- A replacement parts kit, cat. no. RXM-REP, is available for this reel stand.
- A replacement crank arm, cat. no. RXM-HAN, is also available.

Specifications

Capacity: 3000 lb (1360 kg) per unit

Reel Diameters: 21" to 72" (533 to 1829 mm)

Storage Dimensions: 37" x 17" x 11"
(940 x 432 x 279 mm)

Weight: 35 lb (15.9 kg)

Spindles:

647: For loads up to 6000 lb (2722 kg),
47" (1194 mm) max. reel width

684: For loads up to 5000 lb (2268 kg),
61" (1549 mm) max. reel width

Operation

1. Two RXM reel stands and one Greenlee reel stand spindle are required for a complete setup.
2. Make sure the cable reel is chocked to prevent movement during setup.
3. Insert the spindle through the arbor holes of the cable reel and center it about the reel's width. (Fig. 1)
5. Place the reel stand under the spindle and adjust the jack head assembly by pivoting and sliding it up or down so that the rollers are just under the spindle. For very large reels, the jack may also need to be raised by turning the crank arm to reach the proper height. (Fig. 3)

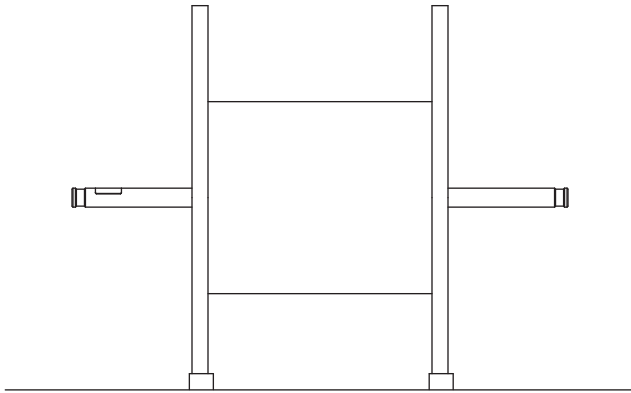


Figure 1.

4. Place reel stands in lifting configuration by removing the pin and pivoting the jack upward. Then insert the pin through the upper sockets. (Fig. 2)

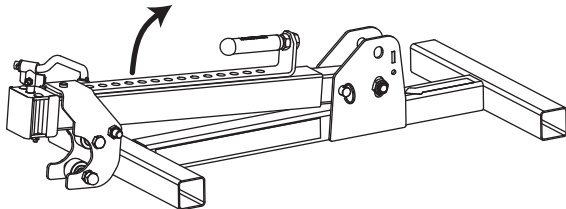


Figure 2.

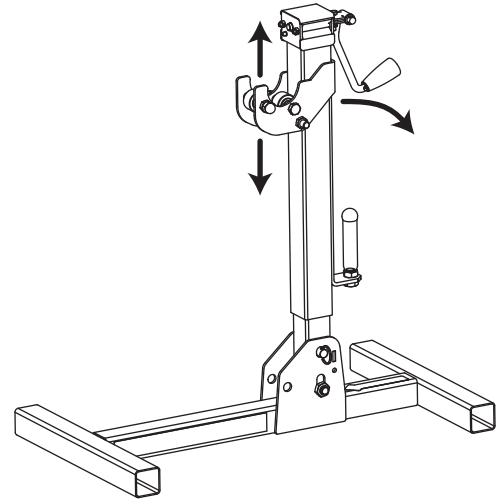


Figure 3.

Align the head assembly rollers with the groove at the end of the spindle. Repeat for other side. (Fig. 4)

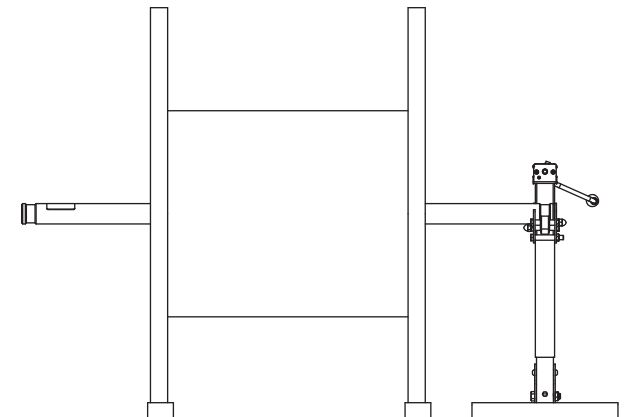
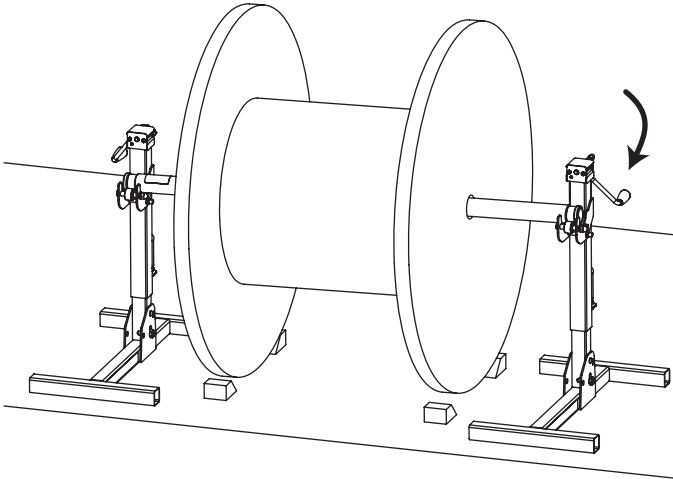


Figure 4.

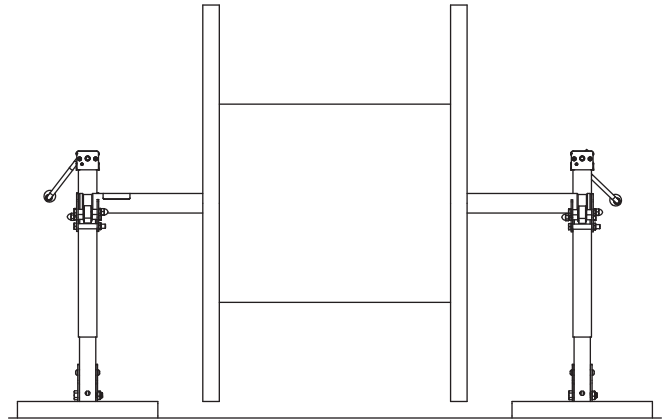
Note: For very wide reels that interfere with crank arm rotation, lifting is accomplished by turning the arm in a half circle, folding the arm down, and repeating this motion.

Operation (cont'd)

6. Turn the reel stand crank arm clockwise to extend one reel stand until the cable reel clears the ground. (Fig. 5)

**Figure 5.**

7. Turn the other reel stand crank arm until the spindle is level and the cable reel rotates freely. (Fig. 6)

**Figure 6.**

8. When finished dispensing cable, the cable reel should be lowered and stands put in storage configuration in the reverse manner as described above.

Note: If reel shifts to one side of setup during pull, lowering is accomplished by turning the crank arm in a half circle, folding the arm up, and repeating this motion.